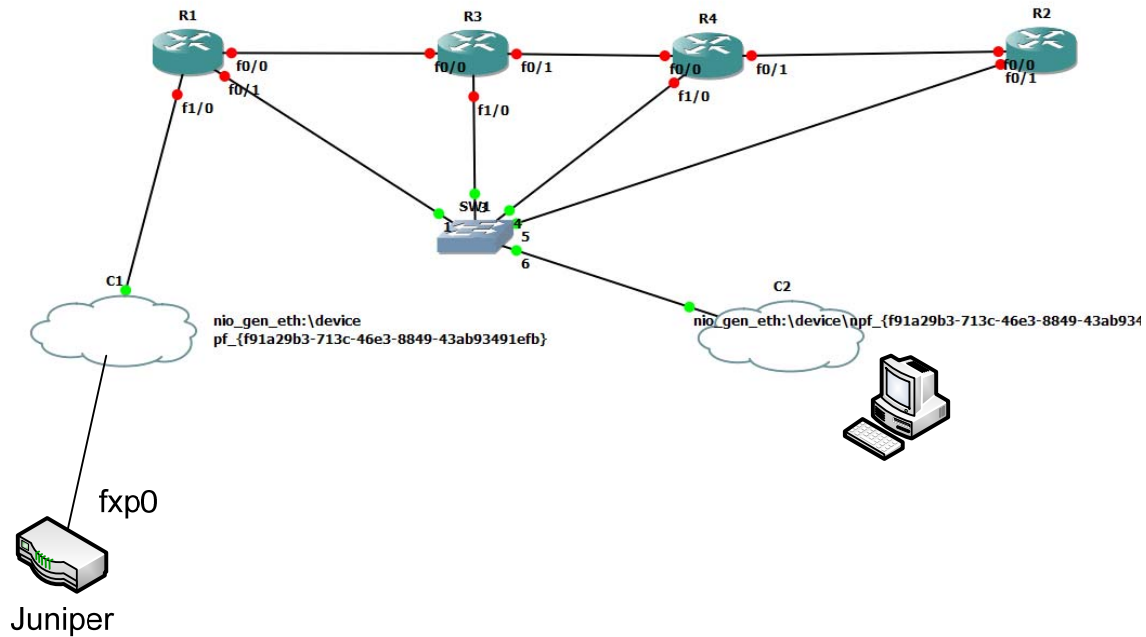


Simple MPLS network topology for Dynamips/Olive



R1

```
!  
version 12.4  
service timestamps debug datetime msec  
service timestamps log datetime msec  
no service password-encryption  
!  
hostname R1  
!  
boot-start-marker  
boot-end-marker  
!  
enable password test  
!  
no aaa new-model  
memory-size iomem 5  
ip cef  
!  
!  
!
```

```
!  
no ip domain lookup  
!  
multilink bundle-name authenticated  
!  
!  
!  
!  
!  
!  
!  
username test password 0 test  
archive  
log config  
hidekeys  
!  
!  
!  
!  
!  
!  
!  
!  
interface Loopback101  
ip address 192.168.1.1 255.255.255.255  
!  
interface FastEthernet0/0  
ip address 192.168.13.1 255.255.255.248  
duplex auto  
speed auto  
mpls ip  
!  
interface FastEthernet0/1  
ip address 192.168.159.11 255.255.255.0  
shutdown  
speed auto  
full-duplex  
!  
interface FastEthernet1/0  
no ip address  
duplex auto  
speed auto  
!  
interface FastEthernet1/0.10  
encapsulation dot1Q 10  
ip address 10.1.1.1 255.255.255.0
```

```

ip mtu 1496
ip ospf mtu-ignore
mpls ip
!
interface FastEthernet1/0.100
encapsulation dot1Q 100
ip address 20.1.1.2 255.255.255.252
ip mtu 1496
mpls label protocol ldp
mpls ip
!
router ospf 200
router-id 192.168.1.1
log-adjacency-changes
network 10.1.1.0 0.0.0.255 area 0
network 20.1.1.0 0.0.0.3 area 0
network 192.168.13.0 0.0.0.7 area 0
!
ip forward-protocol nd
!
!
ip http server
no ip http secure-server
!
snmp-server community test-r RO
snmp-server community test-rw RW
!
!
!
!
mpls ldp router-id Loopback101
!
!
control-plane
!
!
!
!
!
!
!
!
!
!
!
!
line con 0
line aux 0

```

```
line vty 0 4
 login local
 !
 !
 End
```

R2

```
!
version 12.4
service timestamps debug datetime msec
service timestamps log datetime msec
no service password-encryption
!
hostname R2
!
boot-start-marker
boot-end-marker
!
enable password test
!
no aaa new-model
memory-size iomem 5
ip cef
!
!
!
!
no ip domain lookup
!
multilink bundle-name authenticated
!
!
!
!
username test password 0 test
archive
 log config
  hidekeys
!
!
!
!
!
```

```
!  
!  
interface Loopback101  
ip address 192.168.2.2 255.255.255.255  
!  
interface FastEthernet0/0  
ip address 192.168.24.2 255.255.255.248  
duplex auto  
speed auto  
mpls ip  
!  
interface FastEthernet0/1  
ip address 192.168.159.12 255.255.255.0  
duplex auto  
speed auto  
!  
router ospf 200  
router-id 192.168.2.2  
log-adjacency-changes  
network 192.168.2.2 0.0.0.0 area 0  
network 192.168.24.0 0.0.0.7 area 0  
!  
ip forward-protocol nd  
!  
!  
ip http server  
no ip http secure-server  
!  
snmp-server community test-r RO  
snmp-server community test-rw RW  
no cdp run  
!  
!  
!  
!  
mpls ldp router-id Loopback101  
!  
!  
control-plane  
!  
!  
!  
!  
!  
!  
!
```

```
!  
!  
!  
line con 0  
line aux 0  
line vty 0 4  
  login local  
!  
!  
End
```

R3

```
!  
version 12.4  
service timestamps debug datetime msec  
service timestamps log datetime msec  
no service password-encryption  
!  
hostname R3  
!  
boot-start-marker  
boot-end-marker  
!  
enable password test  
!  
aaa new-model  
!  
!  
!  
aaa session-id common  
memory-size iomem 5  
clock timezone EET 2  
clock summer-time EET recurring last Sun Mar 3:00 last Sun Oct 3:00  
no ip gratuitous-arps  
ip cef  
!  
!  
!  
!  
!  
multilink bundle-name authenticated  
!  
!  
!
```

```
!  
!  
!  
username test password 0 test  
archive  
  log config  
  hidekeys  
!  
!  
!  
!  
!  
!  
!  
!  
interface Loopback101  
  ip address 192.168.3.3 255.255.255.255  
!  
interface FastEthernet0/0  
  ip address 192.168.13.3 255.255.255.248  
  duplex auto  
  speed auto  
  mpls ip  
!  
interface FastEthernet0/1  
  ip address 192.168.34.3 255.255.255.248  
  duplex auto  
  speed auto  
  mpls ip  
!  
interface FastEthernet1/0  
  ip address 192.168.159.13 255.255.255.0  
  duplex auto  
  speed auto  
!  
router ospf 200  
  router-id 192.168.3.3  
  log-adjacency-changes  
  network 192.168.3.3 0.0.0.0 area 0  
  network 192.168.13.0 0.0.0.7 area 0  
  network 192.168.34.0 0.0.0.7 area 0  
!  
ip forward-protocol nd  
!  
!  
ip http server
```

```
no ip http secure-server
!  
snmp-server community test-r RO  
snmp-server community test-rw RW  
no cdp run  
!  
!  
!  
!  
mpls ldp router-id Loopback101  
!  
!  
control-plane  
!  
!  
!  
!  
!  
!  
!  
!  
!  
!  
line con 0  
line aux 0  
line vty 0 4  
!  
!  
End
```

R4

```
!  
version 12.4  
service timestamps debug datetime msec  
service timestamps log datetime msec  
no service password-encryption  
!  
hostname R4  
!  
boot-start-marker  
boot-end-marker  
!  
enable password test  
!  
no aaa new-model  
memory-size iomem 5
```



```
ip cef
!
!
!
!
no ip domain lookup
!
multilink bundle-name authenticated
!
!
!
username test password 0 test
archive
log config
hidekeys
!
!
!
interface Loopback101
ip address 192.168.4.4 255.255.255.255
!
interface FastEthernet0/0
ip address 192.168.34.4 255.255.255.248
duplex auto
speed auto
mpls ip
!
interface FastEthernet0/1
ip address 192.168.24.4 255.255.255.248
duplex auto
speed auto
mpls ip
!
interface FastEthernet1/0
ip address 192.168.159.14 255.255.255.0
duplex auto
speed auto
!
router ospf 200
router-id 192.168.4.4
log-adjacency-changes
network 192.168.4.4 0.0.0.0 area 0
network 192.168.24.0 0.0.0.7 area 0
network 192.168.34.0 0.0.0.7 area 0
!
ip forward-protocol nd
```

```
!  
!  
ip http server  
no ip http secure-server  
!  
snmp-server community test-r RO  
snmp-server community test-rw RW  
no cdp run  
!  
!  
!  
!  
mpls ldp router-id Loopback101  
!  
!  
control-plane  
!  
!  
!  
!  
!  
!  
!  
!  
!  
line con 0  
line aux 0  
line vty 0 4  
  login local  
!  
!  
End
```

Juniper

```
root# show  
## Last changed: 2010-10-25 08:44:12 UTC  
version 9.5R1.8;  
system {  
  host-name JUNOS_1;  
  root-authentication {  
    encrypted-password P4FstOEScZ7P.; ## SECRET-DATA  
  }  
  login {
```

```

user niau {
    uid 2001;
    class super-user;
    authentication {
        encrypted-password "$1$1JDff4Hr$L9reRk8qBYfwVrVXRZ6mv0"; ## SECR
ET-DATA
    }
}
}
services {
    ftp;
    ssh;
    telnet;
}
syslog {
    user * {
        any emergency;
    }
    file messages {
        any notice;
        authorization info;
    }
    file interactive-commands {
        interactive-commands any;
    }
}
}
interfaces {
    fxp0 {
        vlan-tagging;
        unit 1 {
            vlan-id 1;
        }
        unit 10 {
            vlan-id 10;
            family inet {
                address 10.1.1.2/24;
            }
        }
        unit 100 {
            vlan-id 100;
            family inet {
                address 20.1.1.1/30;
            }
            family mpls;
        }
    }
}

```

```

unit 500 {
    vlan-id 500;
    family inet {
        address 50.0.0.1/30;
    }
}
}
lo0 {
    unit 0 {
        family inet {
            address 100.1.1.1/32;
        }
    }
}
snmp {
    community test-ro {
        authorization read-only;
    }
    community test-rw {
        authorization read-write;
    }
}
routing-options {
    static {
        route 0.0.0.0/0 next-hop 10.1.1.1;
    }
}
protocols {
    router-advertisement {
        interface fxp0.100;
    }
    mpls {
        interface fxp0.100;
    }
    isis {
        interface fxp0.10 {
            checksum;
        }
    }
    ospf {
        area 0.0.0.0 {
            interface fxp0.100;
            interface lo0.0;
            interface fxp0.500;
            interface fxp0.10;
        }
    }
}

```

```
}  
}  
ldp {  
  interface fxp0.100;  
}  
oam {  
  ethernet {  
    link-fault-management {  
      interface fxp0 {  
        link-discovery active;  
      }  
    }  
  }  
}  
}
```